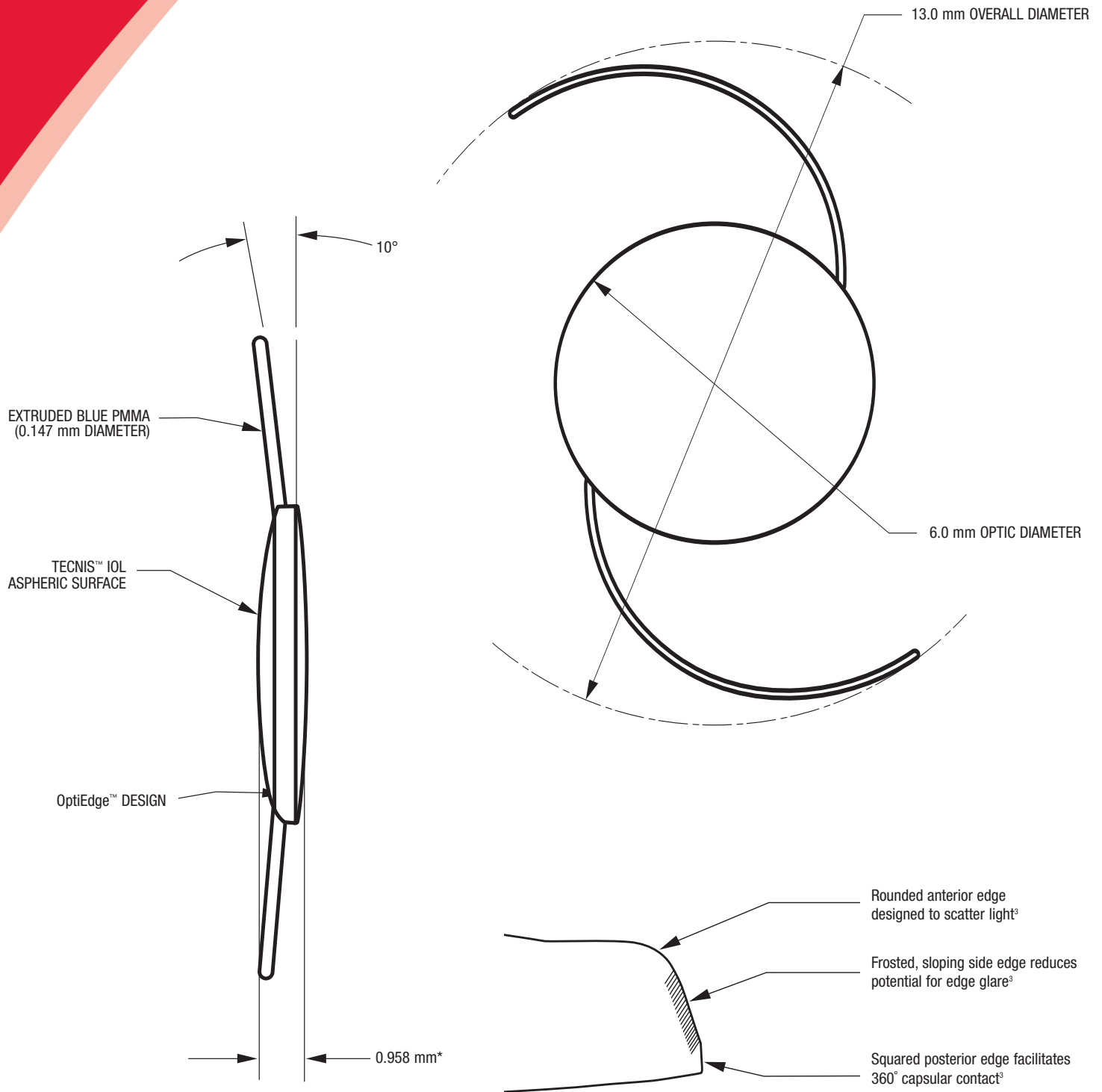
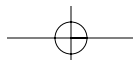


TECNIS™ CL Aspheric Silicone Posterior Chamber IOL

Model Z9002

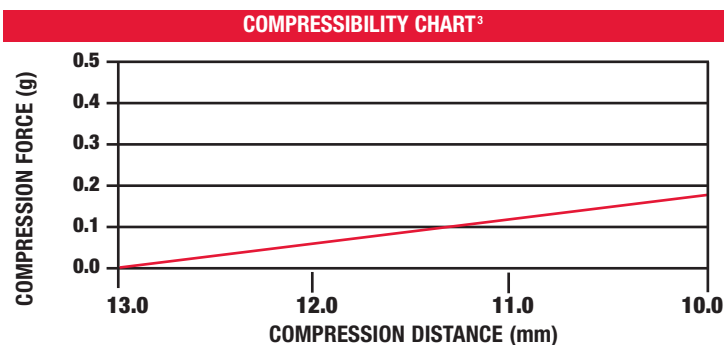


*For a +20.0 diopter lens.





DESCRIPTION	Z9002
OPTIC CHARACTERISTICS	
Powers:	+5.0D to +30.0D in 0.5 diopter increments
Diameter:	6.0 mm
Shape:	Biconvex, anterior aspheric surface, OptiEdge™ design
Material:	UV-blocking SLM-2 Silicone
A-Constant ¹ :	118.7
Theoretical AC Depth ¹ :	5.4 mm
Refractive Index (25° C):	1.46
Surgeon Factor ² :	1.62
HAPTIC CHARACTERISTICS	
Overall Lens Diameter:	13.0 mm
Style:	Modified C
Material:	60% Blue Core Polymethylmethacrylate (PMMA) Monofilament
Angle:	10°
Compressibility:	158 mg
Average Weight in Air:	19.3 mg
RECOMMENDED UNFOLDER™ IMPLANTATION SYSTEM	
THE UNFOLDER™ Silver Series Handpiece Silver Series Advanced Cartridge	SILVER, SILVERT PSCST30



To order or for more information,
call your AMO representative
or visit www.TECNISIOL.com.

1. Value theoretically derived for a typical 20.0 D lens.

2. Calculated based on Holladay I formula (Holladay JT, Prager TC, Chandler TY, Musgrove KH, Lewis JW, Ruiz RS.

A three-part system for refining intraocular lens power calculations. *J Cataract Refract Surg.* 1988;14(1):17-24).

3. Data on file, Advanced Medical Optics, Inc.

TECNIS™ foldable intraocular lenses are indicated for primary implantation for the visual correction of aphakia in adults in whom a cataractous lens has been removed by phacoemulsification. The lenses are intended to be placed in the capsular bag. Precautions: Do not resterilize the lens; do not soak or rinse the lens with any solution other than sterile saline solution; do not store the lens in direct sunlight. Warnings: Surgeons should consider the risk/benefit ratio for adults with preoperative ocular pathology, including but not limited to inflammation, distorted eye and microbial infection. Adverse Events: Adverse events that have been documented as having occurred following intraocular lens implantation include, but are not limited to, corneal edema, iritis, lens dislocation, hyphema, macular edema and retinal detachment. For a complete listing of precautions, warnings and adverse events, refer to the package insert. Rx only.

The AMO ADVANCED MEDICAL OPTICS logo, THE UNFOLDER, TECNIS and OPTIEDGE are trademarks of Advanced Medical Optics, Inc. Rx Only.

©2006 ADVANCED MEDICAL OPTICS, INC., Santa Ana, CA 92705 www.amo-inc.com

June 2006

AMO™
ADVANCED MEDICAL OPTICS